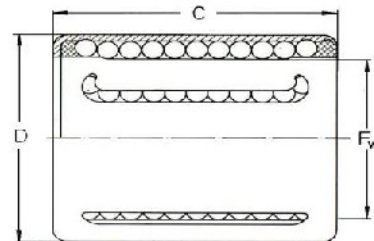
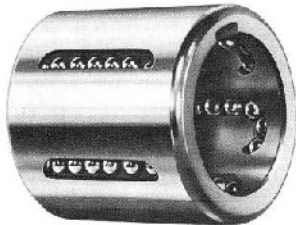




Linear ball bearings



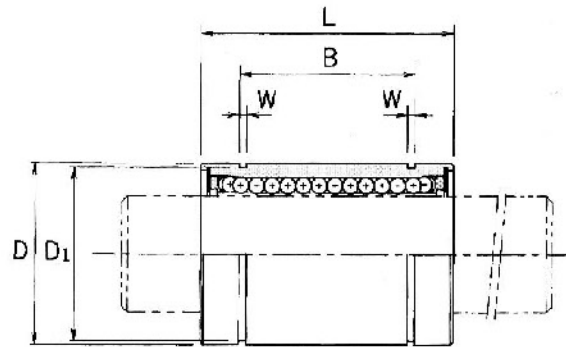
Dimension table . Dimensions in mm

Shaft diameter	Designation	Mass g	Dimensions			Basic load rating	
			F _w	D	C	dyn. C N	stat. C ₀ N
6	KH 0622	6.9	6	12	22	380	227
8	KH 0824	11.3	8	15	24	413	266
10	KH 1026	14.4	10	17	26	475	352
12	KH 1228	18.1	12	19	28	589	485
14	KH 1428	20.6	14	21	28	589	494
16	KH 1630	27.2	16	24	30	760	589
20	KH 2030	32.7	20	28	30	903	751
25	KH 2540	66	25	35	40	1 890	1 586
30	KH 3050	95	30	40	50	2 660	2 565
40	KH 4060	184	40	52	60	4 180	4 227
50	KH 5070	250	50	62	70	5 225	5 985

- For suitable INK sealing rings.
- The basic load ratings are valid for hardened (670 to 840 HV) and ground shafts.



Linear Bushing



Dimension table . Dimension in mm

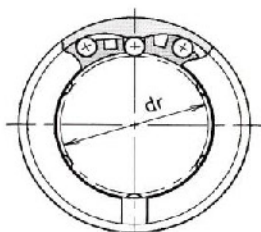
Cylindrical type Standard type	Number of ball rows	Weight g	Clearance adjustable type	Open type	Inscribed circle diameter dr		Outer diameter D	
					Precision	High	Precision	High
LM 3	4	1.4	-	-	3		7	
LM 4	4	1.9	-	-	4	0	8	0
LM 5	4	4	-	-	5	-0.005	10	-0.009
LM 6	4	8	LM 6 AJ	-	6		12	
LM 8S	4	11	LM 8S AJ	-	8		15	0
LM 8	4	16	LM 8 AJ	-	8	0	15	-0.011
LM 10	4	30	LM 10 AJ	-	10	-0.006	19	
LM 12	4	31.5	LM 12 AJ	LM 12 OP	12		21	0
LM 13	4	43	LM 13 AJ	LM 13 OP	13		23	-0.013
LM 16	5	69	LM 16 AJ	LM 16 OP	16		28	
LM 20	5	87	LM 20 AJ	LM 20 OP	20	0	32	
LM 25	6	220	LM 25 AJ	LM 25 OP	25	-0.007	40	0
LM 30	6	250	LM 30 AJ	LM 30 OP	30		45	-0.016
LM 35	6	390	LM 35 AJ	LM 35 OP	35		52	
LM 38	6	565	LM 38 AJ	LM 38 OP	38	0	57	0
LM 40	6	585	LM 40 AJ	LM 40 OP	40	-0.008	60	-0.019
LM 50	6	1 580	LM 50 AJ	LM 50 OP	50		80	
LM 60	6	2 000	LM 60 AJ	LM 60 OP	60	0	90	0
LM 80	6	4 520	-	LM 80 OP	80	-0.009	120	-0.022

- Linear bushing with model no.50 or below, a synthetic resin retainer is built-in to reduce running noise.

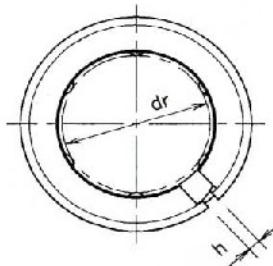
For use at temperatures excess of 80oc, specify the letter 'GA' at the end of the model

no. to install steel retainer.

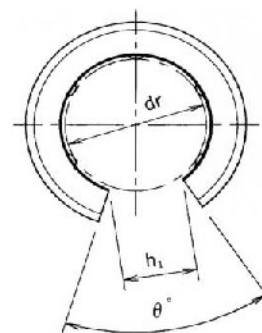
- Specify when seal type is needed.



Type LM



Type LM-AJ



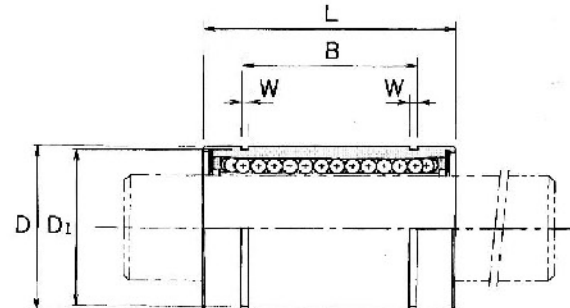
Type LM-OP

Dimension table . Dimension in mm													
Length									Eccentricity (Max.)		Radial clearance tolerance	Basic load rating	
L	Tolerance	B	Tolerance	W	D1	h	h1	Ø	m		m	C	C ₀
									Precision	High			
10	0	-		-	-	-	-	-	4	8	-2	84	103
12	-0.12	-		-	-	-	-	-	4	8	-3	84	121
15		10.2		1.1	9.6	-	-	-	4	8	-3	159	196
19		13.5		1.1	11.5	1	-	-	8	12	-3	196	252
17		11.5		1.1	14.3	1	-	-	8	12	-5	167	214
24	0	17.5	0	1.1	14.3	1	-	-	8	12	-5	252	382
29	-0.2	22	-0.2	1.3	18	1	-	-	8	12	-5	354	522
30		23		1.3	20	1.5	8	80°	8	12	-5	391	568
32		23		1.3	22	1.5	9	80°	8	12	-7	485	736
37		26.5		1.6	27	1.5	11	60°	8	12	-7	736	1 121
42	-0.2	30.5	-0.2	1.6	30.5	1.5	11	60°	10	15	-9	820	1 301
59		41		1.85	38	2	12	50°	10	15	-9	931	1 491
64		44.5		1.85	43	2.5	15	50°	10	15	-9	1 491	2 612
70	0	49.5	0	2.1	49	2.5	17	50°	12	20	-13	1 586	2 983
76	-0.3	58.5	-0.3	2.1	54.5	3	18	50°	12	20	-13	2 052	3 819
80		60.5		2.1	57	3	20	50°	12	20	-13	2 052	3 819
100		74		2.6	76.5	3	25	50°	12	20	-13	3 629	7 543
110		85		3.15	86.5	3	30	50°	17	25	-16	4 474	9 500
140		105.5		4.15	116	-	40	50°	17	25	-20	6 982	15 200

- For steel type retaine, the form will be Linear bushing type as shown bellow.
- To prevent moment load, avoid using one linear bushing on a shaft but use two or more bushings, and the installation distance between the bushings should be made as large as possible.



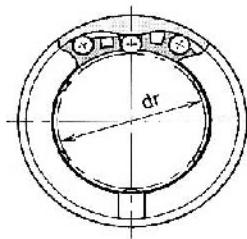
Linear Bushing



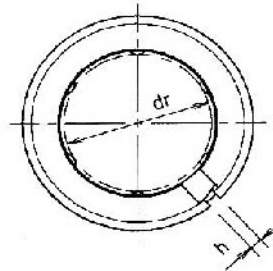
Dimension table . Dimension in mm

Cylindrical type Standard type	Number of ball rows	Weight g	Clearance adjustable type	Open type	Inscribed circle diameter dr	Tolerance	Outer diameter D	
								Tolerance
LME 5	4	11	LME 5 AJ	-	5	+0.008	12	0
LME 8	4	20	LME 8 AJ	-	8		16	-0.008
LME 12	4	41	LME 12 AJ	LME 12 OP	12	0	22	0
LME 16	4	57	LME 16 AJ	LME 16 OP	16	+0.009	26	-0.009
LME 20	5	91	LME 20 AJ	LME 20 OP	20	-0.001	32	
LME 25	6	215	LME 25 AJ	LME 25 OP	25	+0.011	40	0
LME 30	6	325	LME 30 AJ	LME 30 OP	30	-0.001	47	-0.011
LME 40	6	705	LME 40 AJ	LME 40 OP	40		62	0
LME 50	6	1130	LME 50 AJ	LME 50 OP	50	+0.013	75	-0.013
LME 60	6	2220	LME 60 AJ	LME 60 OP	60	-0.002	90	
LME 80	6	5140	LME 80 AJ	LME 80 OP	80	+0.016 -0.004	120	0 -0.015

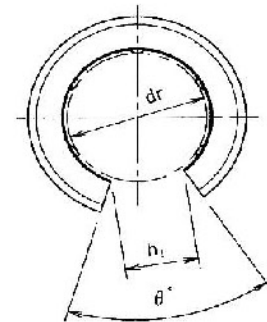
- Linear bushing with model no.50 or below, a synthetic resin retainer is built-in to reduce running noise.
For use at temperatures excess of 80oc, specify the letter 'GA' at the end of the model no. to install steel retainer.
- Specify when seal type is needed.



Type LME



Type LME-AJ



Type LME-OP

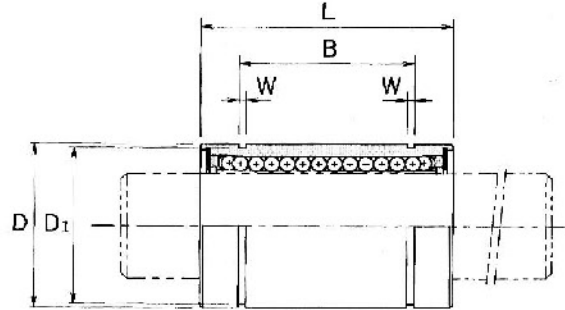
Dimension table . Dimension in mm

Length									Eccentricity	Radial clearance tolerance	Basic load rating	
L	Tolerance	B	Tolerance	W	D1	h	h1	Ø	(Max.) m	m	C N	C ₀ N
22	0 -0.2	14.5	0 -0.2	1.1	11.5	1	-	-	12	-5	196	252
25		16.5		1.1	15.2	1	-	-	12	-5	252	382
32		22.9		1.3	21	1.5	7.5	78°	12	-7	485	736
36		24.9		1.3	24.9	1.5	10	78°	12	-7	549	847
45	0 -0.3	31.5	0 -0.3	1.6	30.3	2	10	60°	15	-9	820	1 301
58		44.1		1.85	37.5	2	12.5	60°	15	-9	931	1 491
68		52.1		1.85	44.5	2	12.5	50°	15	-9	1 491	2 612
80		60.6		2.15	59	3	16.8	50°	17	-13	2 052	3 819
100		77.6		2.65	72	3	21	50°	17	-13	3 629	7 543
125	0	101.7	0	3.15	86.5	3	27.2	54°	20	-16	4 474	9 500
165	-0.4	133.7	-0.4	4.15	116	3	36.3	54°	20	-16	6 982	15 200

- For steel type retainers, the form will be Linear bushing type as shown below.
- To prevent moment load, avoid using one linear bushing on a shaft but use two or more bushings, and the installation distance between the bushings should be made as large as possible.



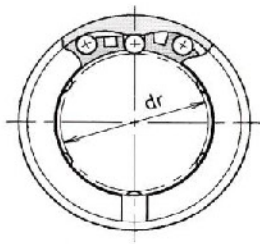
Linear Bushing



Dimension table . Dimension in mm

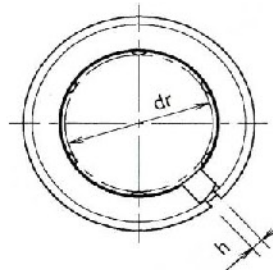
Cylindrical type			Clearance adjustable type	Open type	Inscribed circle diameter			Outer diameter		
Standard type	Number of ball rows	Weight g			dr	Tolerance		D	Tolerance	
						Precision	High		Precision	High
LMB 4	3	10	LMB 4 AJ	LMB 4 OP	6.350 (1/4)	0	0	12.700 (1/2)	0	
LMB 6	4	15	LMB 6 AJ	LMB 6 OP	9.525 (3/8)	-0.006	-0.009	15.875 (5/8)	-0.011	
LMB 8	4	42	LMB 8 AJ	LMB 8 OP	12.700 (1/2)			22.225 (7/8)	0 -0.013	
LMB 12	5	104	LMB 12 AJ	LMB 12 OP	19.050 (3/4)	0.000	0.000	31.750 (1 ¹ / ₄)	0	
LMB 16	6	220	LMB 16 AJ	LMB 16 OP	25.400 (1)	-0.007	-0.010	39.688 (1 ⁹ / ₁₆)	-0.016	
LMB 20	6	465	LMB 20 AJ	LMB 20 OP	31.750 (1 ¹ / ₄)			50.800 (2)	0 - -0.019	
LMB 24	6	720	LMB 24 AJ	LMB 24 OP	38.100 (1 ¹ / ₂)	0	0	60.325 (2 ³ / ₈)		
LMB 32	6	1310	LMB 32 AJ	LMB 32 OP	50.800 (2)	-0.008	-0.012	76.200 (3)	0	
LMB 40	6	2600	LMB 40 AJ	LMB 40 OP	63.500 (2 ¹ / ₂)	0 -0.009	0 -0.015	95.250 (3 ³ / ₄)	-0.022	
LMB 48	6	4380	LMB 48 AJ	LMB 48 OP	76.200 (3)			114.300 (4 ¹ / ₂)		
LMB 64	6	10200	LMB 64 AJ	LMB 64 OP	101.600 (4)	0 -0.010	0 -0.020	152.400 (6)	0 -0.025	

- Linear bushing with model no.50 or below, a synthetic resin retainer is built-in to reduce running noise.
For use at temperatures excess of 80⁰c, specify the letter 'GA' at the end of the model no. to install steel retainer.
- Specify when seal type is needed.



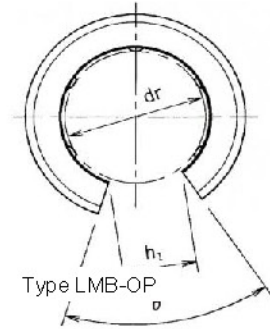
Type

Type LM



Type LMB-AJ

Type LM-AJ



Type LMB-OP

Type LM-OP

Dimension table . Dimension in mm

Length									Eccentricity (Max.)		Radial clearance tolerance	Basic load rating	
L	B	W	D ₁	h	h ₁	Ø	m		m	C	C ₀		
Tolerance	Tolerance						Precision	High		N	N		
19.050 (3/4)		12.98	0.992	11.906	-	-	8	12	-5	20	26		
22.225 (7/8)	0	16.15	0.992	14.935	-	-	8	12	-5	22	30		
31.750 (1 1/4)	-0.2	24.46	-0.2	1.168	20.853	1.5	9	80°	8	12	-7	49	75
41.275 (1 5/8)		29.61		1.422	29.87	1.5	11	60°	10	15	-9	84	133
57.150 (2 1/4)		44.57		1.727	37.306	1.5	12	50°	10	15	-9	95	152
66.675 (2 5/8)		50.92		1.727	47.904	2.5	15	50°	12	20	-13	152	266
76.200 (3)	0	61.26	0	2.184	56.870	3	18	50°	12	20	-13	209	390
101.600 (4)	-0.3	81.07	-0.3	2.616	72.085	3	25	50°	17	25	-16	371	770
127.000 (5)		100.99		3.048	90.220	3	30	50°	17	25	-16	456	969
152.400 (6)	0	120.04	0	3.048	109.474	3	40	50°	17	25	-16	713	1 548
203.200 (8)	-0.4	158.95	-0.4	3.53	145.923	3	50	50°	20	30	-20	1 368	3 372

- For steel type retainers, the form will be Linear bushing type as shown below.
- To prevent moment load, avoid using one linear bushing on a shaft but use two or more bushings, and the installation distance between the bushings should be made as large as possible.



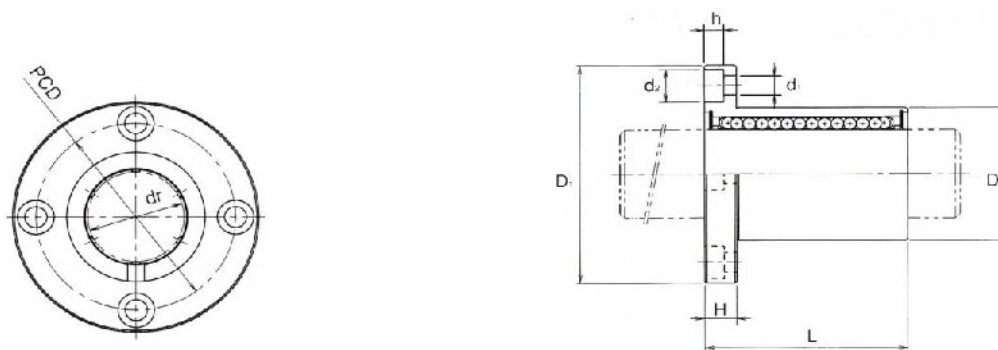
Linear Bushing



Dimension table . Dimension in mm

Cylindrical type Standard type	Number of ball rows	Weight g	Inscribed circle diameter		Outer diameter		Length		Flange diameter	
			dr	Tolerance	D	Tolerance	L	Tolerance	D1	Tolerance
LMF 6 UU	4	26.5	6	0 -0.009	12	0	19	0 -0.2	28	0 -0.2
LMF 8 UU	4	40	8		15	-0.011	24		32	
LMF 10 UU	4	78	10		19	0	29		40	
LMF 12 UU	4	76	12		21	-0.013	30		42	
LMF 13 UU	4	94	13	23	0	32	43	48	54	
LMF 16 UU	5	134	16	28	0	37	42	62	74	
LMF 20 UU	5	180	20	32	0	42	59	74	82	
LMF 25 UU	6	340	25	40	-0.010	45	64	82	96	
LMF 30 UU	6	460	30	45	0	64	80	116	134	
LMF 35 UU	6	795	35	52	-0.016	70	80	116	134	
LMF 40 UU	6	1054	40	60	-0.019	80	100	116	134	
LMF 50 UU	6	2200	50	80	-0.022	100	110	134	134	
LMF 60 UU	6	2960	60	-0.015	90	-0.022	110	134	134	

- Linear bushing type LMF has a built-in synthetic resin retainer to reduce running noise.
- Specify when seal type is needed.

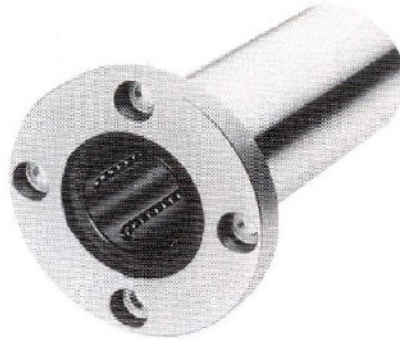


Dimension table . Dimension in mm

H	PCD	Mounting hole d1 X d2 X h	Flang squareness μ m	Eccentricity (Max) μ m	Radial Clearance Tolerance μ m	Basic Load rating	
						C N	C ₀ N
5	20	3.4 X 6.5 X 3.1	12	12	-5	196	252
5	24	3.4 X 6.5 X 3.1	12	12	-5	252	382
6	29	4.5 X 8 X 4.1	12	12	-5	354	522
6	32	4.5 X 8 X 4.1	12	12	-5	391	568
6	33	4.5 X 8 X 4.1	12	12	-7	485	736
6	38	4.5 X 8 X 4.1	12	12	-7	736	1 121
8	43	5.5 X 9.5 X 5.1	15	15	-9	820	1 301
8	51	5.5 X 9.5 X 5.1	15	15	-9	931	1 491
10	60	6.6 X 11 X 6.1	15	15	-9	1 491	2 612
10	67	6.6 X 11 X 6.1	20	20	-13	1 586	2 983
13	78	9 X 14 X 8.1	20	20	-13	2 052	3 819
13	98	9 X 14 X 8.1	20	20	-13	3 629	7 543
18	112	11 X 17.5 X 10.8	25	25	-13	4 474	9 500



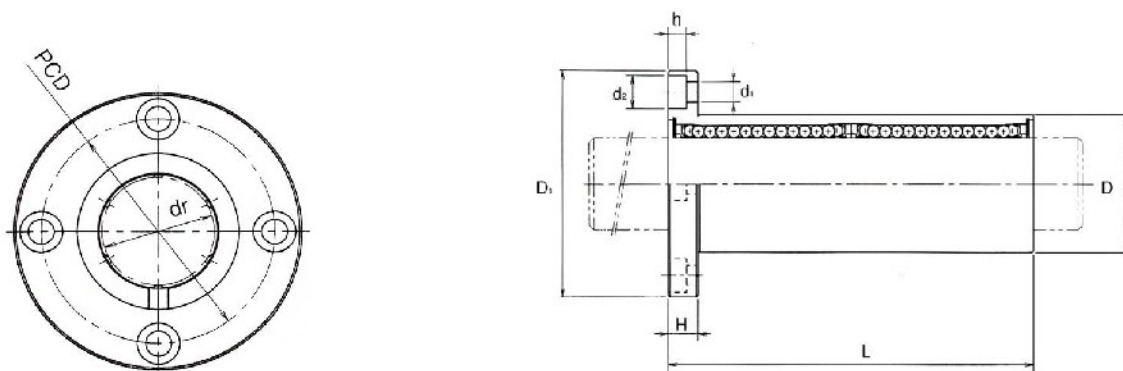
Linear Bushing



Dimension table . Dimension in mm

Cylindrical type Standard type	Number of ball rows	Weight g	Inscribed circle diameter dr		Outer diameter D		Length L		Flange diameter D1	
				Tolerance		Tolerance		Tolerance		Tolerance
LMF 6 LUU	4	32	6	0 -0.010	12	0	35	0 -0.3	28	0 -0.2
LMF 8 LUU	4	53	8		15	-0.013	45		32	
LMF 10 LUU	4	105	10		19	0 -0.016	55		40	
LMF 12 LUU	4	100	12		21		57		42	
LMF 13 LUU	4	130	13	23	0 -0.019	61	0 0.4	43	0 -0.3	
LMF 16 LUU	5	187	16	28		70		48		
LMF 20 LUU	5	260	20	0 -0.012	32	0 -0.019	80	0 0.4	54	0 -0.3
LMF 25 LUU	6	515	25	40	112		62			
LMF 30 LUU	6	655	30	0 -0.015	45	0 -0.022	123	0 0.4	74	0 -0.3
LMF 35 LUU	6	970	35		52		135		82	
LMF 40 LUU	6	1560	40	0 -0.020	60	0 -0.025	154	0 0.4	96	0 -0.3
LMF 50 LUU	6	3500	50		80		192		116	
LMF 60 LUU	6	4500	60		90		211		134	

- Linear bushing type LMF has a built-in synthetic resin retainer to reduce running noise.
- Specify when seal type is needed.

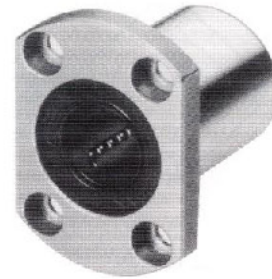
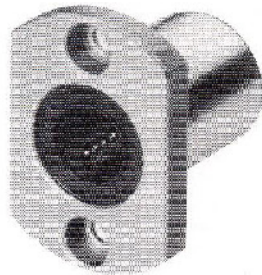


Dimension table . Dimension in mm

H	PCD	Mounting hole d1 X d2 X h	Flang squareness μ m	Eccentricity (Max) μ m	Radial Clearance Tolerance μ m	Basic Load rating	
						C N	C ₀ N
5	20	3.4 X 6.5 X 3.1	15	15	-5	308	503
5	24	3.4 X 6.5 X 3.1	15	15	-5	409	745
6	29	4.5 X 8 X 4.1	15	15	-5	559	1 045
6	32	4.5 X 8 X 4.1	15	15	-5	624	1 140
6	33	4.5 X 8 X 4.1	15	15	-7	773	1 491
6	38	4.5 X 8 X 4.1	15	15	-7	1 168	2 232
8	43	5.5 X 9.5 X 5.1	20	20	-9	1 330	2 612
8	51	5.5 X 9.5 X 5.1	20	20	-9	1 482	2 983
10	60	6.6 X 11 X 6.1	20	20	-9	2 365	5 215
10	67	6.6 X 11 X 6.1	25	25	-13	2 517	5 956
13	78	9 X 14 X 8.1	25	25	-13	3 258	7 638
13	98	9 X 14 X 8.1	25	25	-13	5 776	15 105
18	112	11 X 17.5 X 10.8	25	25	-13	7 267	19 000



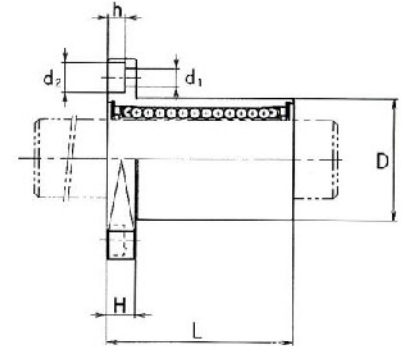
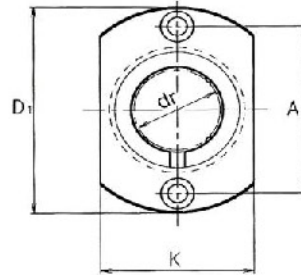
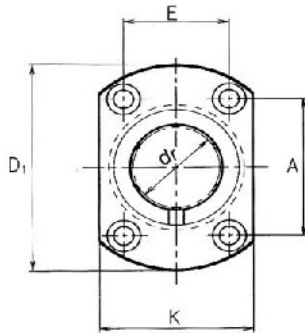
Linear Bushing



Dimension table . Dimension in mm

Cylindrical type Standard type	Number of ball rows	Weight g	Inscribed circle diameter dr		Outer diameter D		Length L		Flange diameter D1 0 -0.2
				Tolerance		Tolerance		Tolerance	
LMH 6 UU	4	18	6	0 -0.009	12	0	19	0 -0.2	28
LMH 8 UU	4	28	8		15	-0.011	24		32
LMH 10 UU	4	50	10		19	0	29		39
LMH 12 UU	4	55	12		21	-0.013	30		42
LMH 13 UU	4	70	13		23	0	32		43
LMH 16 UU	5	95	16		28	-0.016	37		48
LMH 20 UU	5	150	20	0 -0.01	32	0	42	54	
LMH 25 UU	6	275	25		40		59	62	
LMH 30 UU	6	350	30		45		64	74	

- Linear bushing type LMH has a built-in synthetic resin retainer to reduce running noise.
- Specify when seal type is needed.

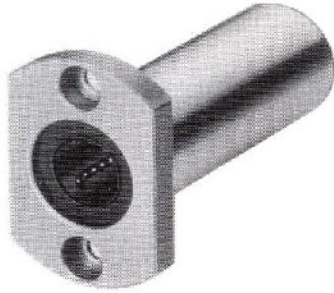


Dimension table . Dimension in mm

K	H	A	E	Mounting hole	Flang squareness	Eccentricity (Max)	Radial Clearance Tolerance	Basic Load rating	
				d1 X d2 X h	μ m	μ m	μ m	C N	C ₀ N
18	5	20	-	3.4 X 6.5 X 3.3	12	12	-5	196	252
21	5	24	-	3.4 X 6.5 X 3.3	12	12	-5	252	382
25	6	29	-	4.5 X 8 X 4.4	12	12	-5	354	522
27	6	32	-	4.5 X 8 X 4.4	12	12	-5	391	568
29	6	33	-	4.5 X 8 X 4.4	12	12	-7	485	736
34	6	31	22	4.5 X 8 X 4.4	12	12	-7	736	1 121
38	8	36	24	5.5 X 9.5 X 5.4	15	15	-9	820	1 301
46	8	40	32	5.5 X 9.5 X 5.4	15	15	-9	931	1 491
51	10	49	35	6.6 X 11 X 6.5	15	15	-9	1 491	2 612



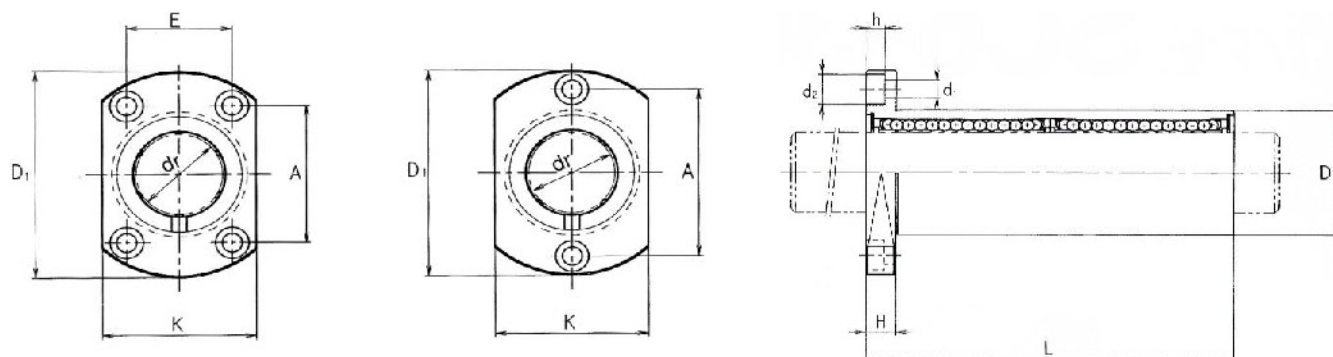
Linear Bushing



Dimension table . Dimension in mm

Cylindrical type Standard type	Number of ball rows	Weight g	Inscribed circle diameter dr		Outer diameter D		Length L		Flange diameter D1 0 -0.2	
				Tolerance		Tolerance		Tolerance		
LMH 6 LUU	4	28	6	0 -0.010	12	0	35	0 -0.3	28	
LMH 8 LUU	4	40	8		15	-0.013	45		32	
LMH 10 LUU	4	75	10		19	0 -0.016	55		39	
LMH 12 LUU	4	82	12		21		0		57	42
LMH 13 LUU	4	107	13		23		-0.016		61	43
LMH 16 LUU	5	143	16		28	0 -0.019	70		48	
LMH 20 LUU	5	225	20	32	0		80	54		
LMH 25 LUU	6	450	25	40	-0.019		112	0 -0.4	62	
LMH 30 LUU	6	575	30	45		123		74		

- Linear bushing type LMH-L has a built-in synthetic resin retainer to reduce running noise.
- Specify when seal type is needed.

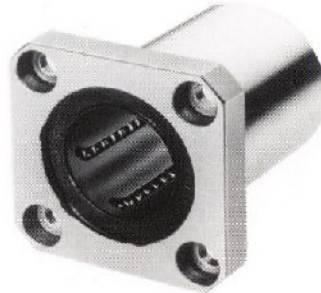


Dimension table . Dimension in mm

K	H	A	E	Mounting hole	Flang squareness	Eccentricity (Max)	Radial Clearance Tolerance	Basic Load rating	
				d1 X d2 X h	μ m	μ m	μ m	C N	C ₀ N
18	5	20	-	3.4 X 6.5 X 3.3	15	15	-5	308	503
21	5	24	-	3.4 X 6.5 X 3.3	15	15	-5	409	745
25	6	29	-	4.5 X 8 X 4.4	15	15	-5	559	1045
27	6	32	-	4.5 X 8 X 4.4	15	15	-5	624	1140
29	6	33	-	4.5 X 8 X 4.4	15	15	-7	773	1 491
34	6	31	22	4.5 X 8 X 4.4	15	15	-7	1 168	2 232
38	8	36	24	5.5 X 9.5 X 5.4	20	20	-9	1 330	2 612
46	8	40	32	5.5 X 9.5 X 5.4	20	20	-9	1 482	2 983
51	10	49	35	6.6 X 11 X 6.5	20	20	-9	2 365	5 215



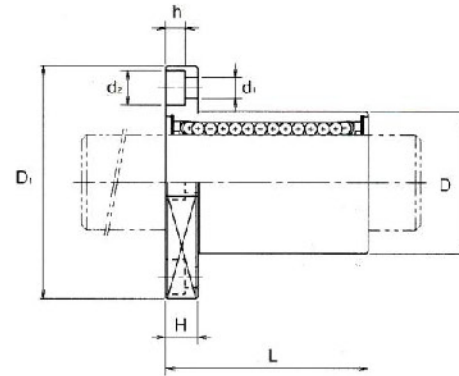
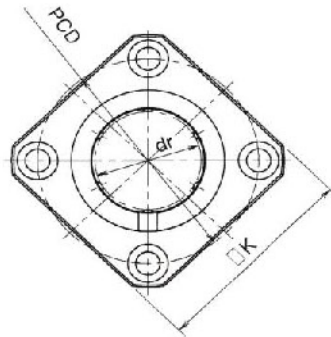
Linear Bushing



Dimension table: Dimension in mm

Cylindrical type Standard type	Number of ball rows	Weight g	Inscribed circle diameter dr		Outer diameter D		Length L		Flange diameter D1	
				Tolerance		Tolerance		Tolerance		Tolerance
LMK 6 UU	4	18.5	6	0 -0.009	12	0	19	0 -0.2	28	0 -0.2
LMK 8 UU	4	29	8		15	-0.011	24		32	
LMK 10 UU	4	61	10		19	0	29		40	
LMK 12 UU	4	56	12		21	-0.013	30		42	
LMK 13 UU	4	75	13	23	0	32	43	0 -0.3		
LMK 16 UU	5	104	16	28	-0.016	37	48			
LMK 20 UU	5	145	20	0 -0.010	32	0	42	54	0 -0.3	
LMK 25 UU	6	300	25	40	-0.019	59	62			
LMK 30 UU	6	375	30	45	0	64	74	0 -0.3		
LMK 35 UU	6	692	35	52	-0.022	70	82			
LMK 40 UU	6	864	40	60	0	80	96	0 -0.3		
LMK 50 UU	6	2020	50	80	-0.022	100	116			
LMK 60 UU	6	2520	60	-0.015	90	-0.022	110	134		

- Linear bushing type LMK has a built-in synthetic resin retainer to reduce running noise.
- Specify when seal type is needed.

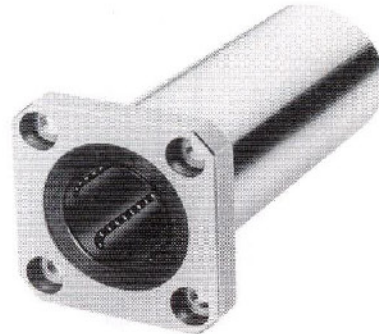


Dimension table . Dimension in mm

K	H	PCD	Mounting hole	Flang squareness	Eccentricity (Max)	Radial Clearance Tolerance	Basic Load rating	
			d1 X d2 X h	μ m	μ m	μ m	C N	C ₀ N
22	5	20	3.4 X 6.5 X 3.1	12	12	-5	196	252
25	5	24	3.4 X 6.5 X 3.1	12	12	-5	252	382
30	6	29	4.5 X 8 X 4.1	12	12	-5	354	522
32	6	32	4.5 X 8 X 4.1	12	12	-5	391	568
34	6	33	4.5 X 8 X 4.1	12	12	-7	485	736
37	6	38	4.5 X 8 X 4.1	12	12	-7	736	1121
42	8	43	5.5 X 9.5 X 5.1	15	15	-9	820	1 301
50	8	51	5.5 X 9.5 X 5.1	15	15	-9	931	1 491
58	10	60	6.6 X 11 X 6.1	15	15	-9	1 491	2 612
64	10	67	6.6 X 11 X 6.1	20	20	-13	1 586	2 983
75	13	78	9 X 14 X 8.1	20	20	-13	2 052	3 819
92	13	98	9 X 14 X 8.1	20	20	-13	3 629	7 543
106	18	112	11 X 17.5 X 10.8	25	25	-13	4 474	9 500



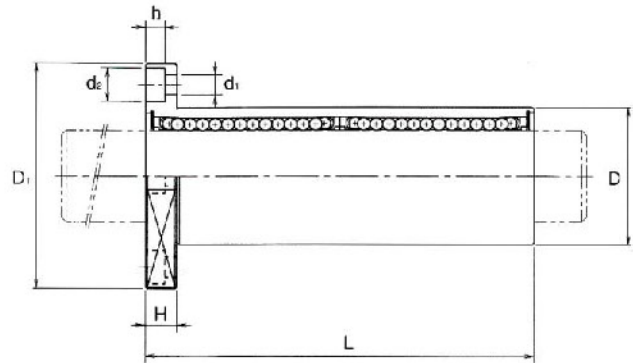
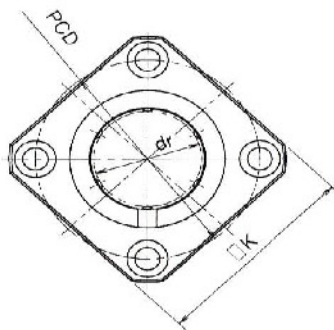
Linear Bushing



Dimension table . Dimension in mm

Cylindrical type Standard type	Number of ball rows	Weight g	Inscribed circle diameter dr		Outer diameter D		Length L		Flange diameter D1	
				Tolerance		Tolerance		Tolerance		Tolerance
LMK 6 LUU	4	26	6	0 -0.010	12	0	35	0 -0.3	28	0 -0.2
LMK 8 LUU	4	46	8		15	-0.013	45		32	
LMK 10 LUU	4	88	10		19	0	55		40	
LMK 12 LUU	4	82	12		21	0	57		42	
LMK 13 LUU	4	108	13		23	-0.016	61		43	
LMK 16 LUU	5	160	16		28		70		48	
LMK 20 LUU	5	230	20	0	32	0 -0.019	80	54	0 -0.4	
LMK 25 LUU	6	475	25	-0.012	40		0	112		62
LMK 30 LUU	6	575	30		45		-0.019	123		74
LMK 35 LUU	6	870	35	0	52	0	135	82	0 -0.3	
LMK 40 LUU	6	1380	40	-0.015	60	-0.022	154	96		
LMK 50 LUU	6	3300	50		80		192	116		
LMK 60 LUU	6	4060	60	-0.02	90	-0.025	211	134		

- Linear bushing type LMK-L has a built-in synthetic resin retainer to reduce running noise.
- Specify when seal type is needed.

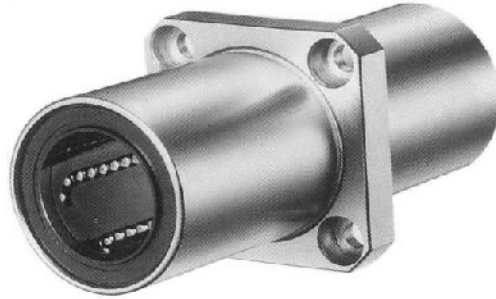


Dimension table . Dimension in mm

K	H	PCD	Mounting hole	Flang squareness	Eccentricity (Max)	Radial Clearance Tolerance	Basic Load rating	
			d1 X d2 X h	μ m	μ m	μ m	C N	C ₀ N
22	5	20	3.4 X 6.5 X 3.1	15	15	-5	308	503
25	5	24	3.4 X 6.5 X 3.1	15	15	-5	409	745
30	6	29	4.5 X 8 X 4.1	15	15	-5	559	1 045
32	6	32	4.5 X 8 X 4.1	15	15	-5	624	1 140
34	6	33	4.5 X 8 X 4.1	15	15	-7	773	1 491
37	6	38	4.5 X 8 X 4.1	15	15	-7	1 168	2 232
42	8	43	5.5 X 9.5 X 5.1	20	20	-9	1 330	2 612
50	8	51	5.5 X 9.5 X 5.1	20	20	-9	1 482	2 983
58	10	60	6.6 X 11 X 6.1	20	20	-9	2 365	5 215
64	10	67	6.6 X 11 X 6.1	25	25	-13	2 517	5 956
75	13	78	9 X 14 X 8.1	25	25	-13	3 258	7 638
92	13	98	9 X 14 X 8.1	25	25	-13	5 776	15 105
106	18	112	11 X 17.5 X 10.8	25	25	-13	7 267	19 000

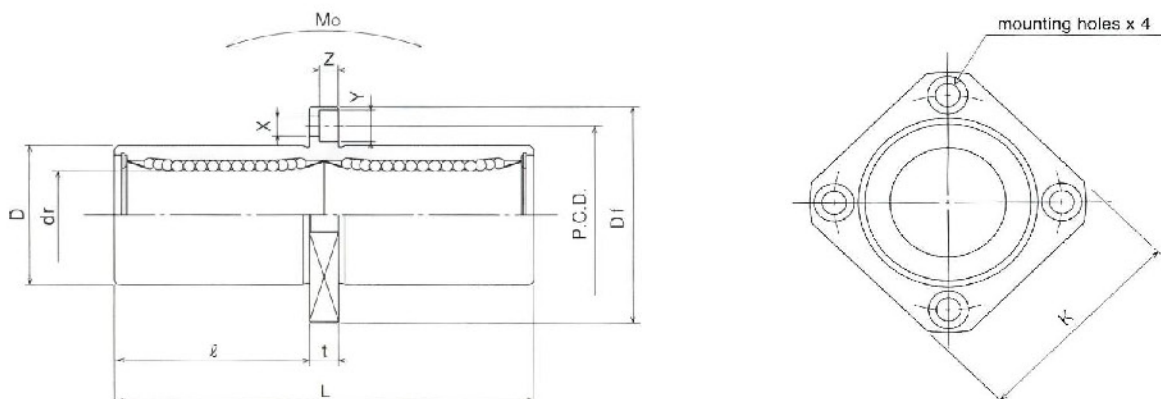


Linear Bushing



Dimension table . Dimension in mm

Cylindrical type Standard	Mass	dr	Outer diameter		L	major dimensions				
			D	Tolerance		± 0.3	f	Df	K	
type	g	mm	Tolerance	mm	μm	mm	mm	mm	mm	
LMKC 6 L UU	25	6	0 -10	12	0	35	15	28	22	
LMKC 8 L UU	43	8		15	-13	45	20	32	25	
LMKC 10 L UU	78	10		19	0 -16	55	24.5	40	30	
LMKC 12 L UU	90	12		21		57	25.5	42	32	
LMKC 13 L UU	108	13		23		61	27.5	43	34	
LMKC 16 L UU	165	16		28		70	32	48	37	
LMKC 20 L UU	225	20	0 -12	32	0	80	36	54	42	
LMKC 25 L UU	500	25		40	-19	112	52	62	50	
LMKC 30 L UU	590	30	0 -15	45	-22	123	56.5	74	58	
LMKC 35 L UU	930	35		52		0	135	62.5	82	64
LMKC 40 L UU	1 380	40		60		-22	151	69	96	75
LMKC 50 L UU	3 400	50	0/-20	80	0/-25	192	89.5	116	92	
LMKC 60 L UU	4 060	60		90		209	95.5	134	106	

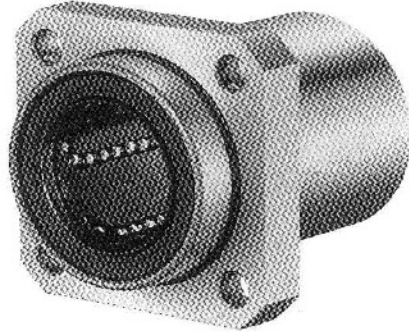


Dimension table . Dimension in mm

t	flange		Shaft diameter mm	Eccentricity (Max) μ m	Perpendicularity μ m	allowable static moment M_o N m	Basic Load rating	
	PCD	X x Y x Z					dynamic C N	static C_0 N
5	20	3.5 X 6 X 3.1	6	15	15	2.18	307	504
5	24	3.5 X 6 X 3.1	8			4.31	409	745
6	29	4.5 X 7.5 X 4.1	10			7.24	559	1045
6	32	4.5 X 7.5 X 4.1	12			10.9	772	1 491
6	33	4.5 X 7.5 X 4.1	13			11.6	772	1 491
6	38	4.5 X 7.5 X 4.1	16			19.7	1 168	2 232
8	43	5.5 X 9 X 5.1	20	20	20	26.8	1 330	2 603
8	51	5.5 X 9 X 5.1	25			43.4	1 482	2 983
10	60	6.6 X 11 X 6.1	30			82.8	2 365	5 215
10	67	6.6 X 11 X 6.1	35	25	25	110	2 517	5 956
13	78	9 X 14 X 8.1	40			147	3 258	7 638
13	98	9 X 14 X 8.1	50			397	5 776	15 105
18	112a	11 X 17 X 11.1	60	30	30	530	7 172	19 000

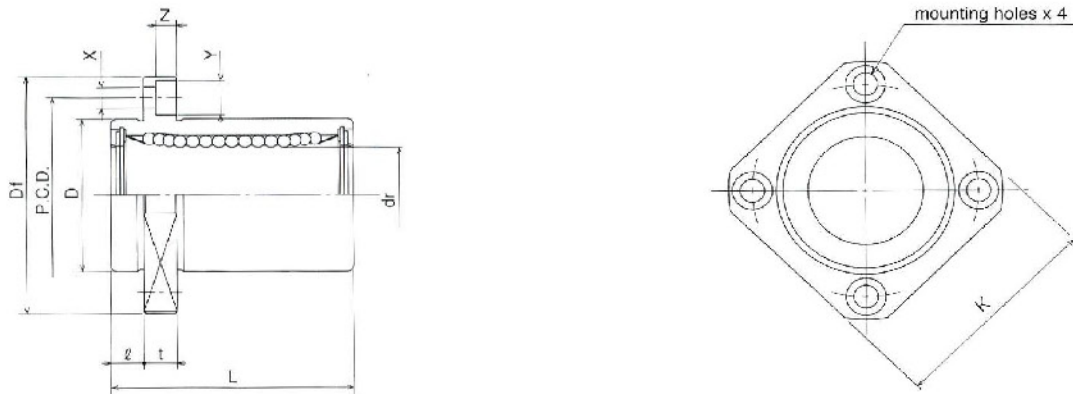


Linear Bushing



Dimension table . Dimension in mm

Cylindrical type Standard	Mass	dr		Outer diameter		L ±0.3 mm	major dimensions		
		mm	Tolerance μm	mm	Tolerance μm		f mm	Df mm	K mm
type	g	mm	μm	mm	μm	mm	mm	mm	mm
LMKP 6 UU	18	6	0	12	0	19	5	28	22
LMKP 8 UU	29	8		15	-13	24	5	32	25
LMKP 10 UU	52	10	-9	19	0	29	6	40	30
LMKP 12 UU	57	12		21	0	30	6	42	32
LMKP 13 UU	72	13	-16	23	0	32	6	43	34
LMKP 16 UU	104	16		28	-16	37	6	48	37
LMKP 20 UU	145	20	0	32	0	42	8	54	42
LMKP 25 UU	300	25	-10	40	0	59	8	62	50
LMKP 30 UU	375	30	-19	45	0	64	10	74	58
LMKP 35 UU	560	35		52	-19	70	10	82	64
LMKP 40 UU	880	40	-12	60	0	80	13	96	75
LMKP 50 UU	2000	50	0/-15	80	-22	100	13	116	92
LMKP 60 UU	2500	60		90	0/-25	110	18	134	106

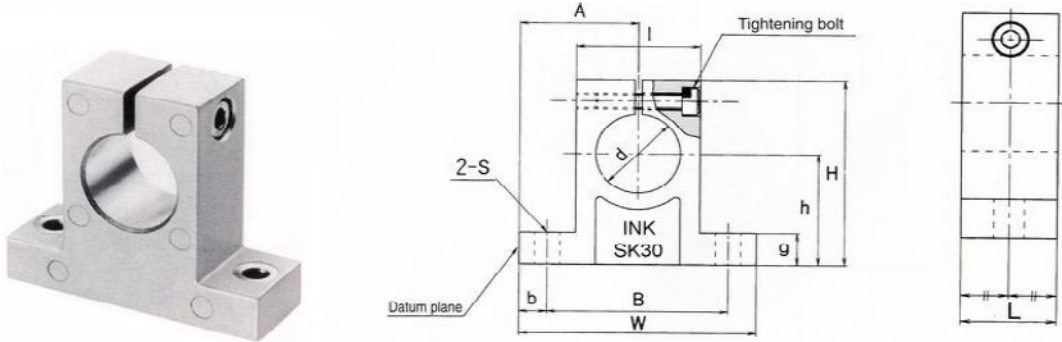


Dimension table . Dimension in mm

t	P.C.D.	Mounting hole X x Y x Z	Shaft diameter mm	Eccentricity μ m	Perpen- dicularity μ m	Basic Load rating	
						dynamic C N	static C ₀ N
5	20	3.5 X 6 X 3.1	6			196	252
5	24	3.5 X 6 X 3.1	8			260	372
6	29	4.5 X 7.5 X 4.1	10	12	12	353	522
6	32	4.5 X 7.5 X 4.1	12			485	745
6	33	4.5 X 7.5 X 4.1	13			485	745
6	38	4.5 X 7.5 X 4.1	16			735	1 121
8	43	5.5 X 9 X 5.1	20			838	1 301
8	51	5.5 X 9 X 5.1	25	15	15	931	1 491
10	60	6.6 X 11 X 6.1	30			1 491	2 603
10	67	6.6 X 11 X 6.1	35			1 586	2 983
13	78	9 X 14 X 8.1	40	20	20	2 052	3 819
13	98	9 X 14 X 8.1	50			3 629	7 543
18	112	11 X 17 X 11	60	25	25	4 465	9 500



Shaft end supporter

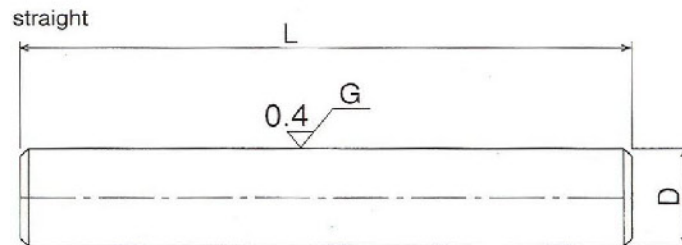


Dimension table . Dimensions in mm

Model no.	Main dimensions												Tightening bolt	Shaft diameter
	Weight	H	W	L	B	S	Mounting bolt	h	A	b	g	l		
SK 10	24	32.8	42	14	32	5.5	M 5	20	21	5	6	18	M 4	10
SK 12	30	37.5	42	14	32	5.5	M 5	23	21	5	6	20	M 4	12
SK 13	30	37.5	42	14	32	5.5	M 5	23	21	5	6	20	M 4	13
SK 16	40	44	48	16	38	5.5	M 5	27	24	5	8	25	M 4	16
SK 20	70	51	60	20	45	6.6	M 6	31	30	7.5	10	30	M 5	20
SK 25	130	60	70	24	56	6.6	M 6	35	35	7	12	38	M 6	25
SK 30	180	70	84	28	64	9	M 8	42	42	10	12	44	M 6	30
SK 35	270	83	98	32	74	11	M10	50	49	12	15	50	M 8	35
SK 40	420	96	96	36	90	11	M10	60	57	12	15	60	M 8	40



Slide shaft



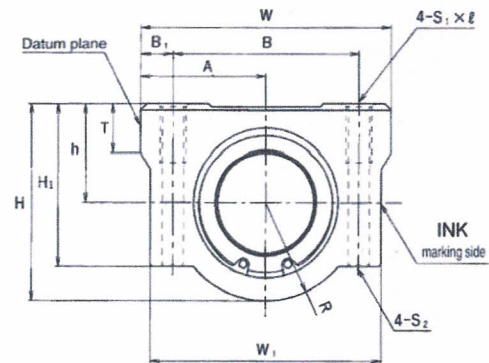
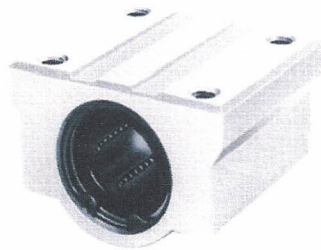
Dimension table . Dimensions in mm

Shaft number	Outer diameter		Length L mm	mass kg/m
	D mm	tolerance g6 ⁺ μm		
S 3	3	-2/-6	50 ↔ 400	0.06
S 4	4	-4	100 ↔ 500	0.10
S 5	5		100 ↔ 700	0.16
S 6	6	-9	100 ↔ 1000	0.23
S 8	8	-5	200 ↔ 1500	0.40
S 10	10		200 ↔ 2000	0.62
S 12	12	-6	200 ↔ 3000	0.89
S 13	13		200 ↔ 3000	1.04
S 15	15	-14	300 ↔ 4000	1.39
S 16	16		300 ↔ 4000	1.58
S 20	20	-7	300 ↔ 5000	2.47
S 25	25		300 ↔ 6000	3.85
S 30	30	-16	300 ↔ 6000	5.55
S 35	35		400 ↔ 6000	7.55
S 40	40	-9	400 ↔ 6000	9.87
S 50	50		500 ↔ 6000	15.4
S 60	60	-10	600 ↔ 6000	22.2
S 80	80	-23	800 ↔ 6000	39.5
S 100	100		1000 ↔ 6000	64.7
S 120	120	-12/-27	1500 ↔ 4500	88.8
S 150	150	-14/-32	1500 ↔ 4500	139

- Material : High-carbon chromium bearing steel (100Cr6)
- Hardness : HRC62-65
- Surface roughness : 1.5 μmR max.



Linear bushing with housing



Type SC6-30

Dimension table . Dimensions in mm										
Model no.	Outer dimensions			LM case dimensions						
	Height H	Width W	Length L	Mounting hole position			Tap	Through-hole	Center height	
				B	B ₁	C	S ₁ X l	bolt S ₂	^h ± 0.02	^A ± 0.02
SC 6 UU	18	30	25	20	5	15	M4X8	M3	9	15
SC 8 UU	22	34	30	24	5	18	M4X8	M3	11	17
SC 10 UU	26	40	35	28	6	21	M5X12	M4	13	20
SC 12 UU	29	42	36	30.5	5.75	26	M5X12	M4	15	21
SC 13 UU	30	44	39	33	5.5	26	M5X12	M4	15	22
SC 16 UU	38.5	50	44	36	7	34	M5X12	M4	19	25
SC 20 UU	42	54	50	40	7	40	M6X12	M5	21	27
SC 25 UU	51.5	76	67	54	11	50	M8X18	M6	26	38
SC 30 UU	59.5	78	72	58	10	58	M8X18	M6	30	39
SC 35 UU	68	90	80	70	10	60	M8X18	M6	34	45
SC 40 UU	78	102	90	80	11	60	M10X25	M8	40	51
SC 50 UU	102	122	110	100	11	80	M10X25	M8	52	61

- One request, the stainless steel linear bushing type LM
- M with excellent corrosion resistance could be in stalled.

